



## CAST BRACKET MOUNTING KITS



# CAST BRACKET MOUNTING KITS

## Cast Brackets

A cast made solid construction with dual (top and bottom) ISO 5211 standard hole patterns, is designed for installation on all Habonim "P" series valves, and to the Compact 4-piston actuator which conform to NAMUR and ISO 5211 standards.

### Scope

As a package solution provider, Habonim supplied traditionally its valve and actuator assemblies with a sheet metal mounting bracket. Although it serves in numerous assemblies with great success, keeping the rigidity and accuracy of the package at all times, there were some drawbacks to old design.

- The complexity of holding the valve and actuator bolts, the limited angular movement of the spanner tightening the bolts in place, are all due to the narrow gap left between the coupler and the bracket walls.
- A sheet metal bracket incorporates welding off two elements with rough tolerances and accuracy.
- While tightening the bolts a wrench slipperly will cause a strike of the employee hand with the sharp metal lip, ending with cut injury.

The new Habonim cast bracket has eliminated all the aforementioned disadvantages and retained all the advantages of the sheet metal bracket.



“Funnel” design



Dual ISO Holes



“Barrel” design

# CAST BRACKET MOUNTING KITS



## Solution offered

This well engineered product provides a wide angular movement of the spanner, allowing ease of installation and maintenance operation with maximum safety to the employ.

A decorative shape, round corners, allows a clear visibility of the valve stem and coupler from all four main directions.

The cast bracket is made from stainless steel CF8 (AISI304) for better corrosion resistance; in addition each pad is marked with the relevant ISO "F" number for clear identification.

The cast bracket is equipped with blank boss on all four sides, Upon request the cast bracket will be supplied as a lockable mechanism, in other cases the boss will be treaded to accommodate a proximity sensor 8 mm barrel type allowing a feedback signal of the valve position to the control room.



"Funnel" design



Dual ISO Holes



"Barrel" design



## Advantages

- Increase safety in installation.
- Increase safety in operation - mechanically lockable against unintentionally operation (upon special request).
- Custom shaped rigid construction.
- Fully interchangeable with the sheet metal bracket.
- Clear visibility of valve stem and coupler.
- Better corrosion resistance.
- Proximity sensor mounting capability (upon special request).

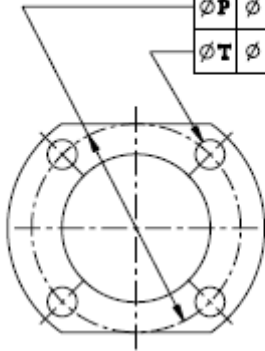


# CAST BRACKET MOUNTING KITS

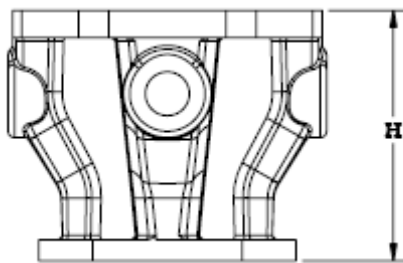
**Table 1.0 - Cast Bracket Mounting Kit Dimensions—IMPERIAL**

**Top View (Bridge)**

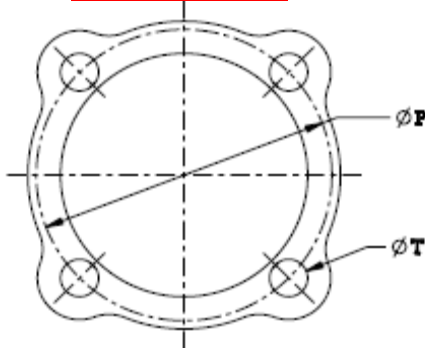
|                 | F03                 | F04                 | F05                 | F07                 | F10                 | F12                 | F14                 |
|-----------------|---------------------|---------------------|---------------------|---------------------|---------------------|---------------------|---------------------|
| $\varnothing P$ | $\varnothing 1.417$ | $\varnothing 1.654$ | $\varnothing 1.969$ | $\varnothing 2.756$ | $\varnothing 4.016$ | $\varnothing 4.921$ | $\varnothing 5.512$ |
| $\varnothing T$ | $\varnothing 0.236$ | $\varnothing 0.236$ | $\varnothing 0.276$ | $\varnothing 0.354$ | $\varnothing 0.472$ | $\varnothing 0.551$ | $\varnothing 0.709$ |



**Front View (Bridge)**

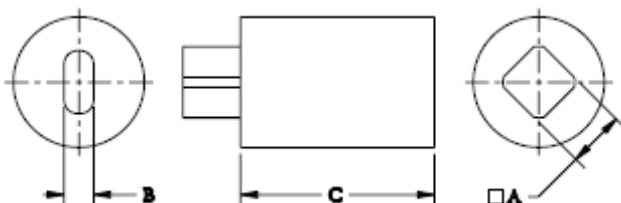


**Bottom View (Bridge)**



| MOUNTING KIT    | BRIDGE        | ADAPTOR       | H     | A     | B     | C     |
|-----------------|---------------|---------------|-------|-------|-------|-------|
| MKR7C-05/07-C15 | CP-F03-F05    | 47-05/07-C15A | 1.575 | 0.351 | 0.220 | 1.476 |
| MKR7C-05/07-C20 | CP-F03-F05    | 47-05/07-C20A | 1.575 | 0.430 | 0.220 | 1.476 |
| MKR7C-10/12-C15 | CP-F04-F05    | 47-10-C15A    | 1.969 | 0.351 | 0.300 | 1.516 |
| MKR7C-10/12-C20 | CP-F04-F05    | 47-10-C20A    | 1.969 | 0.430 | 0.300 | 1.516 |
| MKR7C-10/12-C25 | CP-F04-F07    | 47-10-C25A    | 1.969 | 0.548 | 0.300 | 1.516 |
| MKR7C-10/12-C30 | CP-F04-F07    | 47-10-C30A    | 1.969 | 0.666 | 0.300 | 1.516 |
| MKR7C-15/20-C20 | CP-F05-F05    | 47-15-C20A    | 2.363 | 0.430 | 0.346 | 1.476 |
| MKR7C-15/20-C25 | CP-F05-F07    | 47-15-C25A    | 2.363 | 0.548 | 0.346 | 1.476 |
| MKR7C-15/20-C30 | CP-F05-F07    | 47-15-C30A    | 2.363 | 0.666 | 0.346 | 1.476 |
| MKR8C-20-C20    | CP-F07-F07    | 48-20-C20A    | 2.363 | 0.430 | 0.555 | 1.200 |
| MKR8C-20-C25    | CP-F07-F07    | 48-20-C25A    | 2.363 | 0.548 | 0.555 | 1.200 |
| MKR8C-20-C30    | CP-F07-F07    | 48-20-C30A    | 2.363 | 0.666 | 0.555 | 1.200 |
| MKR8C-20-C35    | CP-F07-F10    | 48-20-C35A    | 2.363 | 0.863 | 0.555 | 1.200 |
| MKR7C-25-C25    | CP-F07-F07    | 47-25-C25A    | 2.363 | 0.548 | 0.346 | 2.165 |
| MKR7C-25-C30    | CP-F07-F07    | 47-25-C30A    | 2.363 | 0.666 | 0.346 | 2.165 |
| MKR7C-25-C35    | CP-F07-F10    | 47-25-C35A    | 2.363 | 0.863 | 0.346 | 2.165 |
| MKR7C-30/40-C30 | CP-F10-F10/12 | 47-30-C30A    | 3.150 | 0.666 | 0.754 | 1.890 |
| MKR7C-30/40-C35 | CP-F10-F10/12 | 47-30-C35A    | 3.150 | 0.863 | 0.754 | 1.890 |
| MKR7C-30/40-C45 | CP-F10-F10/12 | 47-30-C45A    | 3.150 | 1.060 | 0.754 | 1.890 |

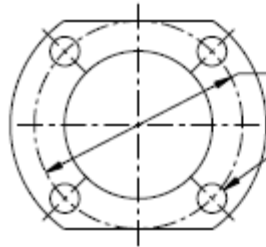
**Stem Adapter**



# CAST BRACKET MOUNTING KITS

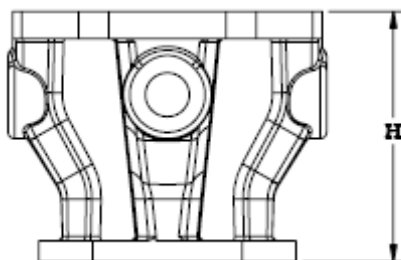
**Table 2.0 - Cast Bracket Mounting Kit Dimensions—METRIC**

**Top View (Bridge)**



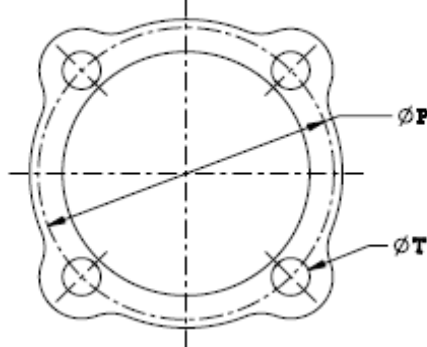
|    | F03  | F04  | F05  | F07  | F10   | F12   | F14   |
|----|------|------|------|------|-------|-------|-------|
| ∅P | ∅ 36 | ∅ 42 | ∅ 50 | ∅ 70 | ∅ 102 | ∅ 125 | ∅ 140 |
| ∅T | ∅ 6  | ∅ 6  | ∅ 7  | ∅ 9  | ∅ 12  | ∅ 14  | ∅ 18  |

**Front View (Bridge)**



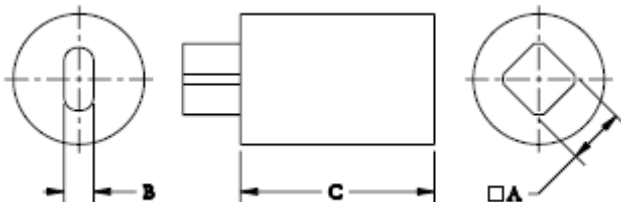
| MOUNTING KIT     | BRIDGE        | ADAPTOR       | H   | A     | B     | C    |
|------------------|---------------|---------------|-----|-------|-------|------|
| MK47C-05/07-C15  | CP-F03-F05    | 47-05/07-C15A | 40  | 8.92  | 5.6   | 37.5 |
| MK47C-05/07-C20  | CP-F03-F05    | 47-05/07-C20A | 40  | 10.92 | 5.6   | 37.5 |
| MK47C-10/12-C15  | CP-F04-F05    | 47-10-C15A    | 50  | 8.92  | 7.6   | 38.5 |
| MK47C-10/12-C20  | CP-F04-F05    | 47-10-C20A    | 50  | 10.92 | 7.6   | 38.5 |
| MK47C-10/12-C25  | CP-F04-F07    | 47-10-C25A    | 50  | 13.92 | 7.6   | 38.5 |
| MK47C-10/12-C30  | CP-F04-F07    | 47-10-C30A    | 50  | 16.92 | 7.6   | 38.5 |
| MK47C-15/20-C20  | CP-F05-F05    | 47-15-C20A    | 60  | 10.92 | 8.8   | 37.5 |
| MK47C-15/20-C25  | CP-F05-F07    | 47-15-C25A    | 60  | 13.92 | 8.8   | 37.5 |
| MK47C-15/20-C30  | CP-F05-F07    | 47-15-C30A    | 60  | 16.92 | 8.8   | 37.5 |
| * MK47-15/20-C35 | F05-F10       | 47-15-C35A    | 60  | 21.92 | 8.8   | 37.5 |
| MK48C-20-C20     | CP-F07-F07    | 48-20-C20A    | 60  | 10.92 | 14.1  | 30.5 |
| MK48C-20-C25     | CP-F07-F07    | 48-20-C25A    | 60  | 13.92 | 14.1  | 30.5 |
| MK48C-20-C30     | CP-F07-F07    | 48-20-C30A    | 60  | 16.92 | 14.1  | 30.5 |
| MK48C-20-C35     | CP-F07-F10    | 48-20-C35A    | 60  | 21.92 | 14.1  | 30.5 |
| MK47C-25-C25     | CP-F07-F07    | 47-25-C25A    | 60  | 13.92 | 8.8   | 55   |
| MK47C-25-C30     | CP-F07-F07    | 47-25-C30A    | 60  | 16.92 | 8.8   | 55   |
| MK47C-25-C35     | CP-F07-F10    | 47-25-C35A    | 60  | 21.92 | 8.8   | 55   |
| MK47C-30/40-C30  | CP-F10-F10/12 | 47-30-C30A    | 80  | 16.92 | 19.15 | 48   |
| MK47C-30/40-C35  | CP-F10-F10/12 | 47-30-C35A    | 80  | 21.92 | 19.15 | 48   |
| MK47C-30/40-C45  | CP-F10-F10/12 | 47-30-C45A    | 80  | 26.92 | 19.15 | 48   |
| * MK47-30/40-C60 | F10-F14       | 47-30-C60A    | 80  | 35.92 | 19.15 | 48   |
| * MK47-60/80-C60 | F12-F14       | 47-60-C60A    | 100 | 35.92 | 28.55 | 53   |

**Bottom View (Bridge)**



\* *Welded Sheet Metal Bridge*

**Stem Adapter**



# CAST BRACKET MOUNTING KITS

## Habonim Cast Brackets

The new Habonim cast brackets are replacing many of the metal brackets that have been used for mounting actuators to valves. These brackets can be used with habonim "P" valves series that carry the ISO mounting platform.

## Type Designs

The cast brackets typical designs are either "Funnel" design where the bottom surface is smaller than the top surface or the "Barrel" design where the two surfaces are identical



Funnel



Dual ISO



Barrel

## Rigid Construction

The cast brackets were designed using an integrated Finite Element software package for solving parameters such as static loading, fluctuations, cyclic loadings and fatigue. The final design resulted in a strong structure with minimum material and aesthetics modern look that reflects the new innovative mind set that Habonim is leading.

## Ease of maintenance

One of the thoughts behind the special design of the cast brackets was to enable the workers using ring spanners or ratchet ring spanners when assembling or removing the brackets from the valves. Usually the worker would have to use special tools or be limited in the arc movement of the tool.

With the wide-open space, that provided around the bolt holes the worker is now free to use standard tools utilizing a large movement span and to torque up the bolts to their specified torque figures



### Headquarters Habonim Israel

Tel: +972 4 6914911

Fax: +972 4 6914902

E-Mail: [sales\\_international@habonim.com](mailto:sales_international@habonim.com)

### North America Sales Offices

Toll Free Phone: (866) 261-8400

Toll Free Fax: (866) 243-9959

E-Mail: [Sales\\_USA@Habonim.com](mailto:Sales_USA@Habonim.com)

See Our Products at:

[www.habonim.com](http://www.habonim.com)